

A decorative graphic element consisting of multiple parallel L-shaped lines in various shades of blue, starting from the top left and extending towards the right and bottom edges of the page.

CBI 7771

Refrigerator
Встраиваемый холодильник-
морозильник

BEKO

Please read this manual first!

Dear Customer,

We hope that your product, which has been produced in modern plants and checked under the most meticulous quality control procedures, will provide you an effective service.

For this, we recommend you to carefully read the entire manual of your product before using it and keep it at hand for future references.




This manual

- Will help you use your appliance in a fast and safe way.
- Read the manual before installing and operating your product.
- Follow the instructions, especially those for safety.
- Keep the manual in an easily accessible place as you may need it later.
- Besides, read also the other documents provided with your product.

Please note that this manual may be valid for other models as well.

Symbols and their descriptions

This instruction manual contains the following symbols:

-  Important information or useful usage tips.
-  Warning against dangerous conditions for life and property.
-  Warning against electric voltage.



This product is supplied with the selective sorting symbol for waste electrical and electronic equipment (WEEE).

This means that this product must be handled pursuant to European Directive 2002/96/EC in order to be recycled or dismantled to minimise its impact on the environment. For further information, please contact your local or regional authorities.

Electronic products not included in the selective sorting process are potentially dangerous for the environment and human health due to the presence of hazardous substances.

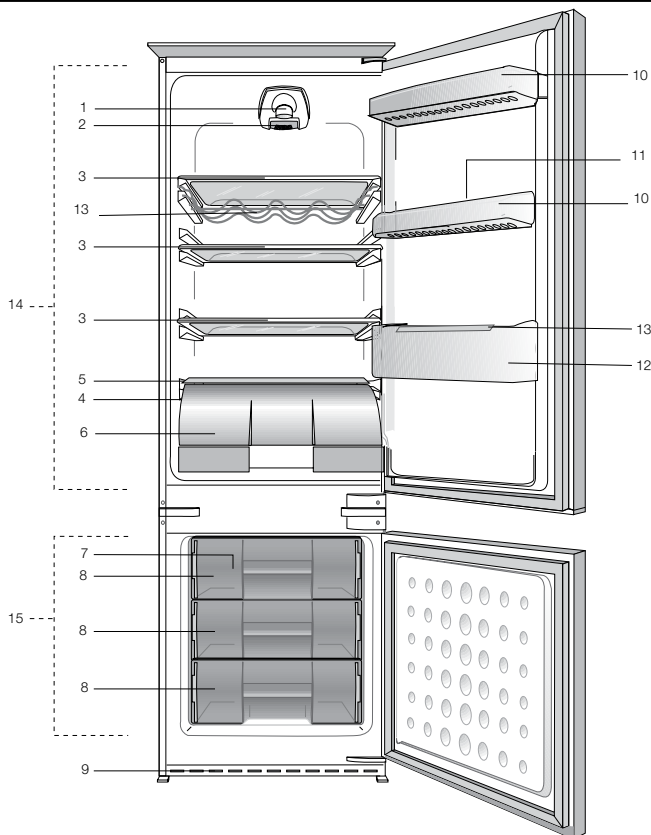


This product was manufactured using the latest technology in environmentally friendly conditions.

CONTENTS

1 Your refrigerator	3	4 Preparation	12
2 Important Safety Warnings	4	5 Using your refrigerator	13
Intended use	4	Thermostat setting button.....	13
For products with a water dispenser; ..	6	Defrost	13
Child safety.....	6	Zero temperature compartment	14
HCA Warning	6		
Things to be done for energy saving ..	7	6 Maintenance and cleaning	15
Technical specifications of your refrigerator	7	Protection of plastic surfaces	15
3 Installation	8	7 Recommended solutions for the problems	16
Points to be considered when re-transporting your refrigerator	8		
Before operating your refrigerator	8		
Disposing of the packaging	8		
Disposing of your old refrigerator	9		
Placing and Installation	9		
Replacing the interior light bulb	10		
Reversing the doors	11		

1 Your refrigerator



- | | |
|---|-----------------------------|
| 1. Interior light | 8. Freezer compartment |
| 2. Temperature setting knob | 9. Air grille |
| 3. Adjustable shelves | 10. Egg tray |
| 4. Defrost water collection channel -
Drain tube | 11. Adjustable door shelves |
| 5. Crisper cover | 12. Bottle shelf |
| 6. 0 °C Compartment | 13. Bottle holder |
| 7. Ice bank | 14. Fridge compartment |
| | 15. Freezer compartment |

i Figures that take place in this instruction manual are schematic and may not correspond exactly with your product. If the subject parts are not included in the product you have purchased, then it is valid for other models.

2 Important Safety Warnings

Please review the following information. Failure to observe this information may cause injuries or material damage. Otherwise, all warranty and reliability commitments will become invalid. The usage life of the unit you purchased is 10 years. This is the period for keeping the spare parts required for the unit to operate as described.

Intended use

- This product is intended to be used
- indoors and in closed areas such as homes;
 - in closed working environments such as stores and offices;
 - in closed accommodation areas such as farm houses, hotels, pensions.
- This product should not be used outdoors.

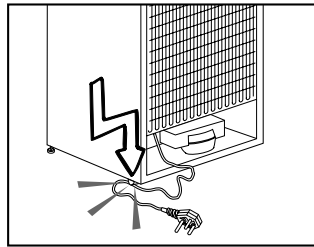
General safety

- When you want to dispose/scrap the product, we recommend you to consult the authorized service in order to learn the required information and authorized bodies.
- Consult your authorized service for all your questions and problems related to the refrigerator. Do not intervene or let someone intervene to the refrigerator without notifying the authorised services.
- For products with a freezer compartment; Do not eat cone ice cream and ice cubes immediately after you take them out of the freezer compartment! (This may cause frostbite in your mouth.)

- For products with a freezer compartment; Do not put bottled and canned liquid beverages in the freezer compartment. Otherwise, these may burst.
- Do not touch frozen food by hand; they may stick to your hand.
- Unplug your refrigerator before cleaning or defrosting.
- Vapor and vaporized cleaning materials should never be used in cleaning and defrosting processes of your refrigerator. In such cases, the vapor may get in contact with the electrical parts and cause short circuit or electric shock.
- Never use the parts on your refrigerator such as the door as a means of support or step.
- Do not use electrical devices inside the refrigerator.
- Do not damage the parts, where the refrigerant is circulating, with drilling or cutting tools. The refrigerant that might blow out when the gas channels of the evaporator, pipe extensions or surface coatings are punctured causes skin irritations and eye injuries.
- Do not cover or block the ventilation holes on your refrigerator with any material.
- Electrical devices must be repaired by only authorised persons. Repairs performed by incompetent persons create a risk for the user.
- In case of any failure or during a maintenance or repair work, disconnect your refrigerator's mains supply by either turning off the relevant fuse or unplugging your appliance.

- Do not pull by the cable when pulling off the plug.
- Place the beverage with higher proofs tightly closed and vertically.
- Never store spray cans containing flammable and explosive substances in the refrigerator.
- Do not use mechanical devices or other means to accelerate the defrosting process, other than those recommended by the manufacturer.
- This product is not intended to be used by persons with physical, sensory or mental disorders or unlearned or inexperienced people (including children) unless they are attended by a person who will be responsible for their safety or who will instruct them accordingly for use of the product
- Do not operate a damaged refrigerator. Consult with the service agent if you have any concerns.
- Electrical safety of your refrigerator shall be guaranteed only if the earth system in your house complies with standards.
- Exposing the product to rain, snow, sun and wind is dangerous with respect to electrical safety.
- Contact authorized service when there is a power cable damage to avoid danger.
- Never plug the refrigerator into the wall outlet during installation. Otherwise, risk of death or serious injury may arise.
- This refrigerator is intended for only storing food items. It must not be used for any other purpose.
- Label of technical specifications is located on the left wall inside the refrigerator.

- Never connect your refrigerator to electricity-saving systems; they may damage the refrigerator.
- If there is a blue light on the refrigerator, do not look at the blue light with optical tools.
- For manually controlled refrigerators, wait for at least 5 minutes to start the refrigerator after power failure.
- This operation manual should be handed in to the new owner of the product when it is given to others.
- Avoid causing damage on power cable when transporting the refrigerator. Bending cable may cause fire. Never place heavy objects on power cable. Do not touch the plug with wet hands when plugging the product.



- Do not plug the refrigerator if the wall outlet is loose.
- Water should not be sprayed directly on inner or outer parts of the product for safety purposes.
- Do not spray substances containing inflammable gases such as propane gas near the refrigerator to avoid fire and explosion risk.
- Never place containers filled with water on top of the refrigerator, otherwise this may cause electric shock or fire.
- Do not overload your refrigerator with excessive amounts of food. If overloaded, the food items may fall

down and hurt you and damage refrigerator when you open the door. Never place objects on top of the refrigerator; otherwise, these objects may fall down when you open or close the refrigerator's door.

- As they require a precise temperature, vaccines, heat-sensitive medicine and scientific materials and etc. should not be kept in the refrigerator.
- If not to be used for a long time, refrigerator should be unplugged. A possible problem in power cable may cause fire.
- The plug's tip should be regularly cleaned; otherwise, it may cause fire.
- The plug's tip should be cleaned regularly with a dry cloth; otherwise, it may cause fire.
- Refrigerator may move if adjustable legs are not properly secured on the floor. Properly securing adjustable legs on the floor can prevent the refrigerator to move.
- When carrying the refrigerator, do not hold it from door handle. Otherwise, it may be snapped.
- When you have to place your product next to another refrigerator or freezer, the distance between devices should be at least 8cm. Otherwise, adjacent side walls may be humidified.

For products with a water dispenser;

Pressure of water mains should be minimum 1 bar. Pressure of water mains should be maximum 8 bars.

- Use only potable water.

Child safety

- If the door has a lock, the key should be kept away from reach of children.
- Children must be supervised to prevent them from tampering with the product.

HCA Warning

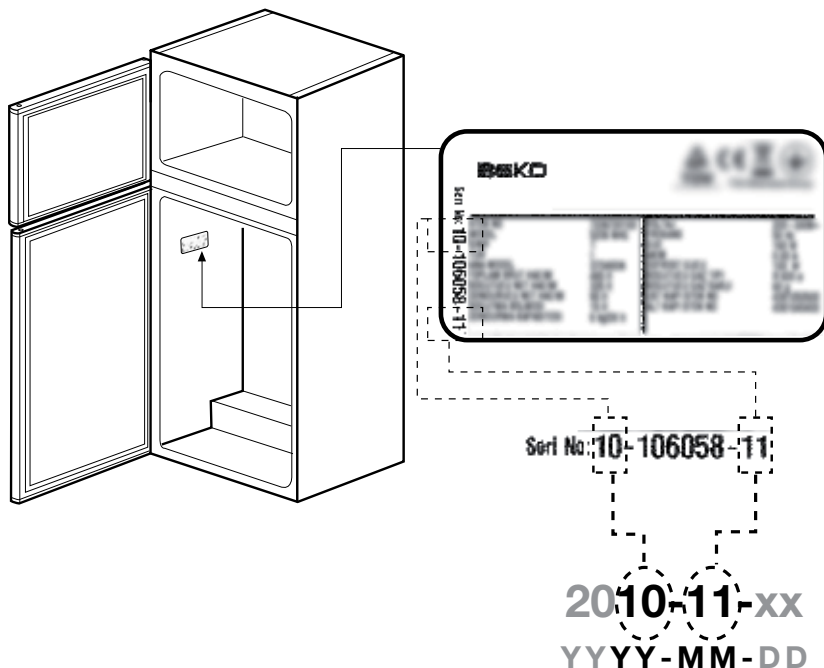
If your product's cooling system contains R600a:

This gas is flammable. Therefore, pay attention to not damaging the cooling system and piping during usage and transportation. In the event of damage, keep your product away from potential fire sources that can cause the product catch a fire and ventilate the room in which the unit is placed.

Ignore this warning if your product's cooling system contains R134a.

Type of gas used in the product is stated in the type plate which is on the left wall inside the refrigerator.

Never throw the product in fire for disposal.



Things to be done for energy saving

- Do not leave the doors of your refrigerator open for a long time.
- Do not put hot food or drinks in your refrigerator.
- Do not overload your refrigerator so that the air circulation inside of it is not prevented.
- Do not install your refrigerator under direct sunlight or near heat emitting appliances such as ovens, dishwashers or radiators.
- Pay attention to keep your food in closed containers.
- For products with a freezer compartment; You can store maximum amount of food items in the freezer when you remove the shelf or drawer of the freezer. Energy consumption value stated for your refrigerator has been determined by removing freezer shelf or drawer and under maximum load. There is no harm to use a shelf or drawer according to the shapes and size of food to be frozen.
- Thawing frozen food in fridge compartment will both provide energy saving and preserve the food quality.

Technical specifications of your refrigerator

Energy efficiency class	A+
Protection class	1

3 Installation

⚠ Please remember that the manufacturer shall not be held liable if the information given in the instruction manual is not observed.

Points to be considered when re-transporting your refrigerator

1. Your refrigerator must be emptied and cleaned prior to any transportation.
2. Shelves, accessories, crisper and etc. in your refrigerator must be fastened securely by adhesive tape against any jolt before repackaging.
3. Packaging must be tied with thick tapes and strong ropes and the rules of transportation printed on the package must be followed.

Please do not forget...

Every recycled material is an indispensable source for the nature and for our national resources.

If you wish to contribute to recycling the packaging materials, you can get further information from the environmental bodies or local authorities.

Before operating your refrigerator

Before starting to use your refrigerator check the following:

1. Is the interior of the refrigerator dry and can the air circulate freely in the rear of it?
2. Clean the interior of the refrigerator as recommended in the "Maintenance and cleaning" section.

3. Plug the refrigerator into the wall outlet. When the fridge door is open the fridge compartment interior light will come on.
4. You will hear a noise as the compressor starts up. The liquid and gases sealed within the refrigeration system may also give rise to noise, even if the compressor is not running and this is quite normal.
5. Front edges of the refrigerator may feel warm. This is normal. These areas are designed to be warm to avoid condensation.

Electric connection

Connect your product to a grounded socket which is being protected by a fuse with the appropriate capacity.

Important:

- The connection must be in compliance with national regulations.
- The power cable plug must be easily accessible after installation.
- The specified voltage must be equal to your mains voltage.
- Extension cables and multiway plugs must not be used for connection.

⚠ A damaged power cable must be replaced by a qualified electrician.

⚠ Product must not be operated before it is repaired! There is danger of electric shock!

Disposing of the packaging

The packing materials may be dangerous for children. Keep the packing materials out of the reach of children or dispose them of by classifying them in accordance with the waste instructions. Do not dispose them of along with the normal household waste.

The packing of your refrigerator is produced from recyclable materials.

Disposing of your old refrigerator

Dispose of your old machine without giving any harm to the environment.

- You may consult your authorized dealer or waste collection center of your municipality about the disposal of your refrigerator.

Before disposing of your refrigerator, cut out the electric plug and, if there are any locks on the door, make them inoperable in order to protect children against any danger.

Placing and Installation

1. Install your refrigerator to a place that allows ease of use.
2. Keep your refrigerator away from heat sources, humid places and direct sunlight.
3. There must be appropriate air ventilation around your refrigerator in order to achieve an efficient operation. If the refrigerator is to be placed in a recess in the wall, there must be at least 5 cm distance with the ceiling and at least 5 cm with the wall. If the floor is covered with a carpet, your product must be elevated 2.5 cm from the floor.
4. Place your refrigerator on an even floor surface to prevent jolts.
5. Do not keep your refrigerator in ambient temperatures under 10°C.

i This appliance is designed to operate at temperatures specified in the table below is equipped with Advanced Electronic Temperature Control System [AETCS] which ensures that at the advised setting [4 - four on the knob] the frozen food in the freezer will not defrost even if the ambient temperature falls as low as -15 °C.

When first installed the product MUST NOT be placed in low ambient temperatures because the freezer will not reduce to its standard operating temperature. Once it has reached its steady operating state it can be re-located.

So you may then install your appliance in a garage or an unheated room without having to worry about frozen food in the freezer being spoilt. However at low ambient temperatures mentioned above, fridge contents are likely to freeze, so check and consume food in the fridge accordingly. When the ambient temperature returns to normal, you may change the knob setting to suit your needs.

i If the ambient temperature is below 0°C, the food in the fridge compartment will freeze. So, we recommend you don't use the fridge compartment in such low ambient conditions. You can continue using the freezer compartment as usual.

Replacing the interior light bulb

Should the light fail to work, proceed as follows.

1- Switch off at the socket outlet and pull out the mains plug.

You may find it useful to remove shelves for easy access.

2- Use a flat tipped screwdriver to remove the light diffuser cover.

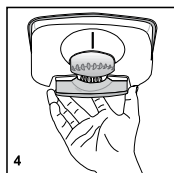
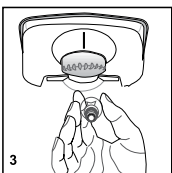
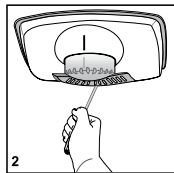
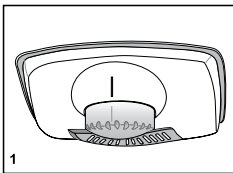
3- First check that the bulb hasn't worked loose by ensuring it is screwed securely in the holder. Replace the plug and switch on.

If the bulb works, replace the light cover by inserting the rear lug and pushing up to locate the front two lugs.

4- If the light still fails to work, switch off at the socket outlet and pull out the mains plug. Replace the bulb with a new 15 watt (max) screw cap (SES) bulb.

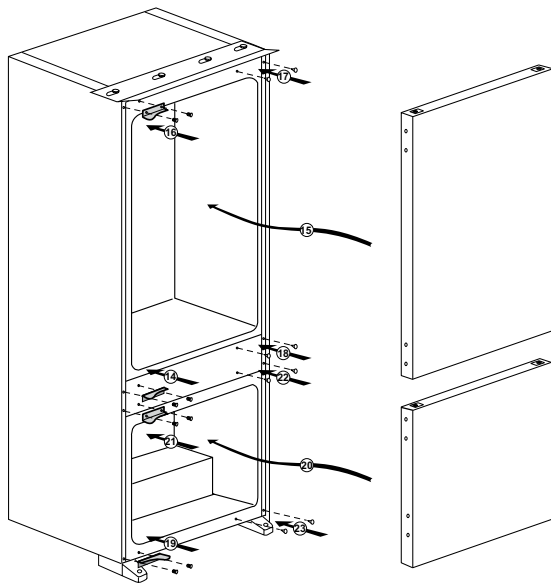
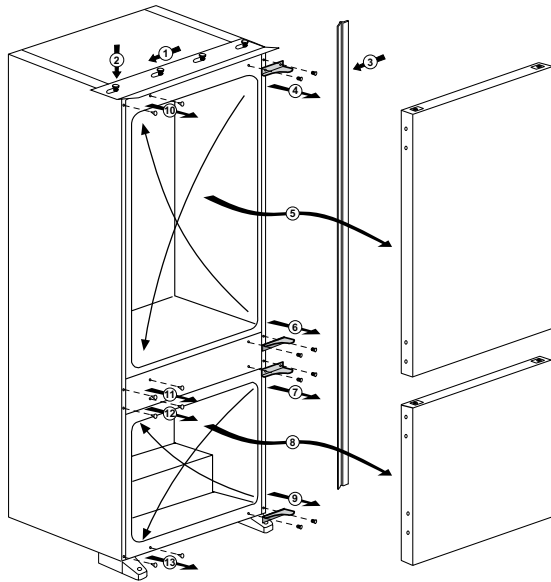
5- Carefully dispose of the burnt-out light bulb immediately.

Replacement light bulb can easily be obtained from a good local electrical or DIY store.



Reversing the doors

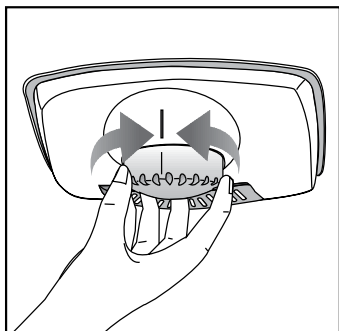
Proceed in numerical order



4 Preparation

- i** Your refrigerator should be installed at least 30 cm away from heat sources such as hobs, ovens, central heater and stoves and at least 5 cm away from electrical ovens and should not be located under direct sunlight.
- i** The ambient temperature of the room where you install your refrigerator should at least be 10°C. Operating your refrigerator under cooler conditions than this is not recommended with regard to its efficiency.
- i** Please make sure that the interior of your refrigerator is cleaned thoroughly.
- i** If two refrigerators are to be installed side by side, there should be at least 2 cm distance between them.
- i** When you operate your refrigerator for the first time, please observe the following instructions during the initial six hours.
 - The door should not be opened frequently.
 - It must be operated empty without any food in it.
 - Do not unplug your refrigerator. If a power failure occurs out of your control, please see the warnings in the “Recommended solutions for the problems” section.
- i** Original packaging and foam materials should be kept for future transportations or moving.

5 Using your refrigerator



Thermostat setting button

The interior temperature of your refrigerator changes for the following reasons;

- Seasonal temperatures,
- Frequent opening of the door and leaving the door open for long periods,
- Food put into the refrigerator without cooling down to the room temperature,
- The location of the refrigerator in the room (e.g. exposing to sunlight).
- You may adjust the varying interior temperature due to such reasons by using the thermostat. Numbers around the thermostat button indicates the cooling degrees.
- If the ambient temperature is higher than 32 °C, turn the thermostat button to maximum position.
- If the ambient temperature is lower than 25 °C, turn the thermostat button to minimum position.

Defrost

Fridge compartment

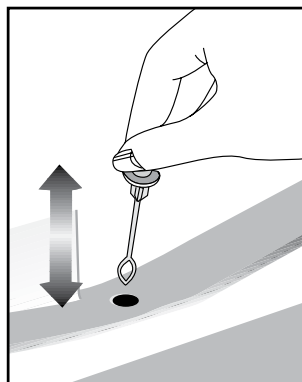
Fridge compartment performs full-automatic defrosting. Water drops and a frosting up to 7-8 mm can occur on the inner rear wall of the fridge compartment while your refrigerator cools down. Such formation is normal as a result of the cooling system. The frost formation is defrosted by performing automatic defrosting with certain intervals thanks to the automatic defrosting system of the rear wall. User is not required to scrape the frost or remove the water drops.

Water resulting from the defrosting passes from the water collection groove and flows into the evaporator through the drain pipe and evaporates here by itself.

Check regularly to see if the drain pipe is clogged or not and clear it with the stick in the hole when necessary.

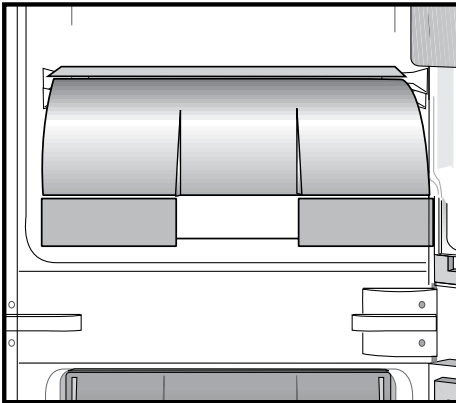
Deep freezer compartment does not perform automatic defrosting in order to prevent decaying of the frozen food

The freezer compartment defrosts automatically.



Zero temperature compartment

This compartment has been designed to store frozen food which would be thawed slowly (meat, fish, chicken, etc.) as required. Zero temperature compartment is the coldest place of your refrigerator in which dairy products (cheese, butter), meat, fish or chicken may be kept at ideal storage conditions. Vegetables and/or fruits must not be placed in this compartment.



6 Maintenance and cleaning

- ⚠ Never use gasoline, benzene or similar substances for cleaning purposes.
- ⚠ We recommend that you unplug the appliance before cleaning.
- ⚠ Never use any sharp abrasive instrument, soap, household cleaner, detergent and wax polish for cleaning.
- ℹ Use lukewarm water to clean the cabinet of your refrigerator and wipe it dry.
- ℹ Use a damp cloth wrung out in a solution of one teaspoon of bicarbonate of soda to one pint of water to clean the interior and wipe it dry.
- ⚠ Make sure that no water enters the lamp housing and other electrical items.
- ⚠ If your refrigerator is not going to be used for a long period of time, unplug the power cable, remove all food, clean it and leave the door ajar.
- ℹ Check door seals regularly to ensure they are clean and free from food particles.
- ⚠ To remove door racks, remove all the contents and then simply push the door rack upwards from the base.

Protection of plastic surfaces

- ℹ Do not put the liquid oils or oil-cooked meals in your refrigerator in unsealed containers as they damage the plastic surfaces of your refrigerator. In case of spilling or smearing oil on the plastic surfaces, clean and rinse the relevant part of the surface at once with warm water.

7 Recommended solutions for the problems

Please review this list before calling the service. It might save you time and money. This list includes frequent complaints that are not arising from defective workmanship or material usage. Some of the features described here may not exist in your product.

The refrigerator does not operate.

- Is the refrigerator properly plugged in? Insert the plug to the wall socket.
- Is the fuse of the socket which your refrigerator is connected to or the main fuse blown out? Check the fuse.

Condensation on the side wall of the fridge compartment (MULTIZONE, COOL CONTROL and FLEXI ZONE).

- Very cold ambient conditions. Frequent opening and closing of the door. Highly humid ambient conditions. Storage of food containing liquid in open containers. Leaving the door ajar. Switching the thermostat to a colder degree.
- Decreasing the time the door left open or using it less frequently.
- Covering the food stored in open containers with a suitable material.
- Wipe the condensation using a dry cloth and check if it persists.

Compressor is not running

- Protective thermic of the compressor will blow out during sudden power failures or plug-out plug-ins as the refrigerant pressure in the cooling system of the refrigerator has not been balanced yet. Your refrigerator will start running approximately after 6 minutes. Please call the service if the refrigerator does not startup at the end of this period.
- The fridge is in defrost cycle. This is normal for a full-automatically defrosting refrigerator. Defrosting cycle occurs periodically.
- Your refrigerator is not plugged into the socket. Make sure that the plug is properly fit into the socket.
- Are the temperature adjustments correctly made?
- Power might be cut off.

<p>The fridge is running frequently or for a long time.</p> <ul style="list-style-type: none"> Your new product may be wider than the previous one. This is quite normal. Large refrigerators operate for a longer period of time. The ambient room temperature may be high. This is quite normal. The refrigerator might have been plugged in recently or might have been loaded with food. Cooling down of the refrigerator completely may last for a couple of hours longer. Large amounts of hot food might have been put in the refrigerator recently. Hot food causes longer running of the refrigerator until they reach the safe storage temperature. Doors might have been opened frequently or left ajar for a long time. The warm air that has entered into the refrigerator causes the refrigerator to run for longer periods. Open the doors less frequently. Freezer or fridge compartment door might have been left ajar. Check if the doors are tightly closed. The refrigerator is adjusted to a very low temperature. Adjust the refrigerator temperature to a warmer degree and wait until the temperature is achieved. Door seal of the fridge or freezer may be soiled, worn out, broken or not properly seated. Clean or replace the seal. Damaged/broken seal causes the refrigerator to run for a longer period of time in order to maintain the current temperature.
<p>Freezer temperature is very low while the fridge temperature is sufficient.</p> <ul style="list-style-type: none"> The freezer temperature is adjusted to a very low temperature. Adjust the freezer temperature to a warmer degree and check.
<p>Fridge temperature is very low while the freezer temperature is sufficient.</p> <ul style="list-style-type: none"> The fridge temperature might have been adjusted to a very low temperature. Adjust the fridge temperature to a warmer degree and check.
<p>Food kept in the fridge compartment drawers are freezing.</p> <ul style="list-style-type: none"> The fridge temperature might have been adjusted to a very low temperature. Adjust the fridge temperature to a warmer degree and check.
<p>Temperature in the fridge or freezer is very high.</p> <ul style="list-style-type: none"> The fridge temperature might have been adjusted to a very high degree. Fridge adjustment has an effect on the temperature of the freezer. Change the temperature of the fridge or freezer until the fridge or freezer temperature reaches to a sufficient level. Doors might have been opened frequently or left ajar for a long time; open them less frequently. Door might have been left ajar; close the door completely. Large amount of hot food might have been put in the refrigerator recently. Wait until the fridge or freezer reaches the desired temperature. The refrigerator might have been plugged in recently. Cooling down of the refrigerator completely takes time.

The operation noise increases when the refrigerator is running.
<ul style="list-style-type: none"> The operating performance of the refrigerator may change due to the changes in the ambient temperature. It is normal and not a fault.
Vibrations or noise.
<ul style="list-style-type: none"> The floor is not even or it is weak. The refrigerator rocks when moved slowly. Make sure that the floor is strong enough to carry the refrigerator, and level. The noise may be caused by the items put onto the refrigerator. Items on top of the refrigerator should be removed.
There are noises coming from the refrigerator like liquid spilling or spraying.
<ul style="list-style-type: none"> Liquid and gas flows happen in accordance with the operating principles of your refrigerator. It is normal and not a fault.
There is a noise like wind blowing.
<ul style="list-style-type: none"> Fans are used in order to cool the refrigerator. It is normal and not a fault.
Condensation on the inner walls of refrigerator.
<ul style="list-style-type: none"> Hot and humid weather increases icing and condensation. It is normal and not a fault. Doors might have been left ajar; make sure that the doors are closed fully. Doors might have been opened frequently or left ajar for a long time; open them less frequently.
Humidity occurs on the outside of the refrigerator or between the doors.
<ul style="list-style-type: none"> There might be humidity in the air; this is quite normal in humid weather. When the humidity is less, condensation will disappear.
Bad odor inside the refrigerator.
<ul style="list-style-type: none"> Inside of the refrigerator must be cleaned. Clean the inside of the refrigerator with a sponge, lukewarm water or carbonated water. Some containers or package materials might cause the smell. Use a different container or different brand packaging material.
The door is not closing.
<ul style="list-style-type: none"> Food packages may prevent the door's closing. Replace the packages that are obstructing the door. The refrigerator is not completely upright on the floor and rocking when slightly moved. Adjust the elevation screws. The floor is not level or strong. Make sure that the floor is level and capable to carry the refrigerator.
Crispers are stuck.
<ul style="list-style-type: none"> The food might be touching the ceiling of the drawer. Rearrange food in the drawer.

Producer: «Arcelik A.S.»

Address: Karaağaç Caddesi No:2-6 Sütlüce, 34445, Turkey

Made in Turkey

Importer in Russia: «BEKO LLC»

Address: 601010, Vladimirskaia oblast, Kirjach region, factory «BEKO»

The manufacture date is included in the serial number of a product specified on rating label, which is located on a product, namely: first two figures of serial number indicate the year of manufacture, and last two – the month. For example, "10-100001-05» indicates that the product was produced in May, 2010.

You can ask for certification number from our Call Center 8-800-200-23-56

Обязательно прочтите данное руководство!

Уважаемый покупатель!

Надеемся, что наше изделие, изготовленное на современном оборудовании, и прошедшее тщательный контроль качества, будет надежно служить вам.




Поэтому, прежде чем пользоваться прибором, рекомендуем внимательно изучить данное руководство и всегда держать его под рукой в качестве справочника.

Данное руководство

- Поможет вам быстро и безопасно пользоваться изделием.
 - Прежде чем устанавливать изделие и пользоваться им, прочтите руководство.
 - Соблюдайте инструкции, особенно в отношении техники безопасности.
 - Храните руководство в легко доступном месте, так как оно может понадобиться вам в будущем.
 - Кроме того, прочитайте другие документы, поставляющиеся в комплекте с изделием.
- Учтите, что данное руководство по эксплуатации может применяться и для других моделей.

Условные обозначения

В данном руководстве по эксплуатации используются следующие условные обозначения:

-  Важная информация или полезные советы по эксплуатации.
-  Предупреждение об опасности для жизни и имущества.
-  Предупреждение об опасном электрическом напряжении.

Переработка

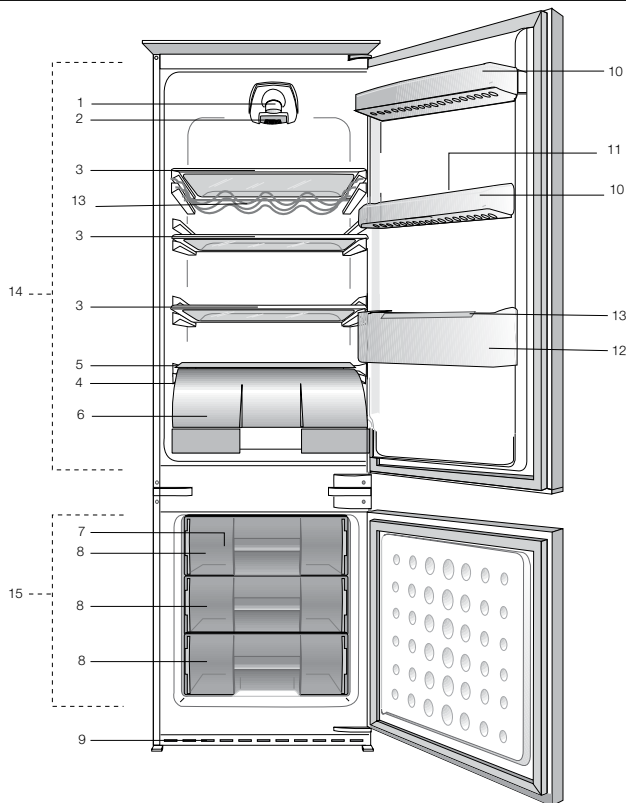


На данное изделие нанесен символ избирательной сортировки для отходов электрического и электронного оборудования (WEEE). Это значит, что с данным изделием следует обращаться в соответствии с Европейской Директивой 2002/96/EC с целью его переработки или разборки для уменьшения отрицательного воздействия на окружающую среду. За дополнительной информацией обратитесь в местные или региональные органы власти. Электронная техника, не включенная в процесс избирательной сортировки отходов, представляет потенциальную опасность для окружающей среды и здоровья людей из-за наличия в ней опасных веществ.

СОДЕРЖАНИЕ

1 Холодильник	3	4 Подготовка	12
2 Важные указания по технике безопасности	4	5 Эксплуатация холодильника	13
Использование по назначению	4	Регулятор температуры	13
Для изделий с раздатчиком охлажденной воды:	6	Размораживание	13
Безопасность детей	6	Камера нулевой температуры.....	14
Предупреждение органов здравоохранения	6	6 Обслуживание и чистка	15
Рекомендации по экономии электроэнергии.....	7	Защита пластмассовых поверхностей .	15
Технические характеристики.....	7	7 Рекомендации по устранению неисправностей	16
3 Установка	8		
Подготовка	8		
Правила транспортировки холодильника	8		
Подготовка к эксплуатации	8		
Подключение к электросети	9		
Утилизация упаковки	9		
Утилизация старого холодильника	9		
Замена лампочки внутреннего освещения	10		
Перевешивание дверей	11		

1 Холодильник



- | | |
|---|-----------------------------|
| 1. Лампочка внутреннего освещения | 9. Вентиляционная решетка |
| 2. Регулятор температуры | 10. Лоток для яиц |
| 3. Съёмные полки | 11. Съёмные полки на дверце |
| 4. Канал для слива талой воды –
сливная трубка | 12. Полка для бутылок |
| 5. Крышка контейнера для фруктов и
овощей | 13. Держатель для бутылок |
| 6. Отделение 0°C | 14. Холодильное отделение |
| 7. Контейнер для льда | 15. Морозильное отделение |
| 8. Морозильное отделение | |

i Иллюстрации в данной инструкции являются схематичными и могут не соответствовать вашей модели. Некоторые компоненты, которые не входят в состав приобретенного вами изделия, используются в других моделях.

2 Важные указания по технике безопасности

Обязательно ознакомьтесь со следующей информацией. Игнорирование данной информации может привести к причинению травм или повреждению имущества. Кроме того, гарантийные обязательства и обязательства по эксплуатационной надёжности утратят силу.

Срок службы приобретенного вами изделия составляет 10 лет. Это срок, в течение которого предоставляются запасные части, необходимые для нормальной работы изделия.

Использование по назначению

Это изделие предназначено для использования

- в помещениях и на закрытых пространствах, например, в доме;
- в закрытых рабочих помещениях, например, в магазинах и офисах;
- в закрытых жилых помещениях, например, в загородных домах, гостиницах, пансионатах.
- Это изделие предназначено для использования только в помещении.

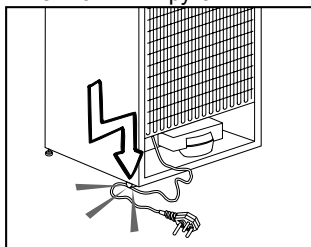
Общие правила техники безопасности

- В случае необходимости утилизировать или уничтожить изделие для получения необходимой информации рекомендуется обратиться в фирменный сервисный центр, а также в местные органы власти.
- По всем вопросам, касающимся холодильника, обращайтесь в фирменный сервисный центр. Не вмешивайтесь в работу изделия и не разрешайте этого другим без уведомления фирменного сервисного центра.
- Для изделий с морозильным отделением: не ешьте мороженое в рожках и кубики льда сразу после их извлечения из морозильного отделения!

(Это может вызвать обморожение полости рта.)

- Для изделий с морозильным отделением: не помещайте напитки в бутылках и банках в морозильное отделение. Они могут лопнуть.
- Не дотрагивайтесь до замороженных продуктов – они могут примерзнуть к рукам.
- Отключайте холодильник от сети перед чисткой или размораживанием.
- Ни в коем случае не используйте для чистки и размораживания холодильника пар или аэрозольные чистящие средства. В этом случае пар может попасть на электрические компоненты, что приведет к короткому замыканию или поражению электрическим током.
- Ни в коем случае не используйте холодильник или его части (например, дверцу) в качестве подставки или опоры.
- Не используйте электрические приборы внутри холодильника.
- Не допускайте повреждения частей, в которых циркулирует хладагент, используя режущие или сверлильные инструменты. Хладагент может вырваться из пробитого испарителя, трубопроводов или покрытий поверхности и вызвать раздражение кожи и поражение глаз.
- Ни в коем случае не закрывайте и не закупоривайте вентиляционные отверстия холодильника.
- Ремонт электрического оборудования должны производить только квалифицированные специалисты. Ремонт, выполненный некомпетентными лицами, может создать опасность для потребителя.
- В случае неполадок во время эксплуатации, а также при проведении техобслуживания или ремонта отключите холодильник, выключив соответствующий предохранитель или вынув шнур питания из розетки.

- Не тяните за сетевой шнур, вынимая вилку из розетки.
- Крепкие спиртные напитки следует хранить в плотно закрытом виде и вертикальном положении.
- Нельзя хранить в холодильнике банки с горючими и взрывоопасными веществами.
- Для ускорения процесса размораживания не используйте механические устройства или другие средства, кроме тех, которые рекомендованы производителем.
- Данный электроприбор не предназначен для использования лицами (включая детей) с ограниченными физическими, сенсорными и интеллектуальными возможностями либо не имеющими опыта и знаний. Они могут пользоваться электроприбором только под наблюдением лица, ответственного за их безопасность, или под его руководством.
- Ни в коем случае нельзя пользоваться неисправным холодильником. При возникновении вопросов обращайтесь к квалифицированному специалисту.
- Электрическая безопасность гарантируется только в том случае, если система заземления в вашем доме соответствует стандартам.
- Воздействие на устройство дождя, снега, солнца или ветра опасно с точки зрения электробезопасности.
- В случае повреждения шнура питания и т.п. обратитесь в фирменный сервисный центр, чтобы не подвергать себя опасности.
- Ни в коем случае нельзя включать холодильник в розетку во время установки. Это может привести к серьезным травмам или смерти.
- Этот холодильник предназначен только для хранения пищевых продуктов. Его нельзя использовать для каких-либо иных целей.
- Табличка с техническими характеристиками находится слева на внутренней стенке холодильника.
- Ни в коем случае нельзя подключать холодильник к электронным системам экономии электроэнергии, поскольку это может привести к его поломке.
- При наличии в холодильнике синей подсветки не смотрите на нее через оптические устройства.
- При отключении от сети электропитания холодильника с ручным управлением подождите не менее 5 минут, прежде чем подключать его снова.
- В случае продажи изделия эту инструкцию по эксплуатации следует передать новому владельцу.
- При транспортировке холодильника избегайте повреждения шнура питания. Изгибание шнура питания может привести к возгоранию. Не ставьте на него тяжелые предметы. При подключении холодильника к сети электропитания не прикасайтесь к вилке влажными руками.



- Ни в коем случае нельзя подключать холодильник к плохо закрепленной стенной розетке сети электропитания.
- Из соображений безопасности не допускайте попадания воды на внешние или внутренние части холодильника.
- Не распыляйте рядом с холодильником воспламеняющиеся газы, такие как газ пропан, ввиду риска пожара или взрыва.
- Не ставьте сосуды с водой на холодильник, поскольку это может привести к поражению электрическим током или пожару.
- Не загружайте холодильник продуктами сверх меры. Если холодильник перегружен, продукты могут выпасть при открытии дверцы и травмировать вас или повредить холодильник. Не

кладите предметы на холодильник, поскольку они могут упасть при открытии или закрытии дверцы.

- В холодильнике нельзя хранить вещества, требующие определенных температурных условий, такие как вакцины, термочувствительные медикаменты, материалы для научных исследований и т.п.
- Холодильник следует отключить от электросети, если он не будет использоваться в течение длительного времени. Неисправность шнура питания может привести к возгоранию.
- Необходимо регулярно очищать концы вилки шнура электропитания; несоблюдение этого условия может привести к пожару.
- Необходимо регулярно очищать контакты вилки шнура питания сухой тканью. Несоблюдение этого правила может привести к пожару.
- Холодильник может смещаться, если регулируемые ножки не зафиксированы на полу. Фиксирование регулируемых ножек на полу предотвратит смещение холодильника.
- При перемещении холодильника не держите его за ручку. В противном случае он может сломаться.
- При установке холодильника расстояние между ним и другим холодильником или морозильником должно составлять минимум 8 см. В противном случае боковые прилегающие стенки будут увлажняться.

Для изделий с раздатчиком охлажденной воды:

Давление в водопроводной линии не должно быть ниже 1 бара. Давление в водопроводной линии не должно быть выше 8 бар.

- Используйте только питьевую воду.

Безопасность детей

- Если на дверце есть замок, ключ следует хранить в недоступном для детей месте.
- Следует присматривать за детьми и не разрешать им портить холодильник.

Предупреждение органов здравоохранения

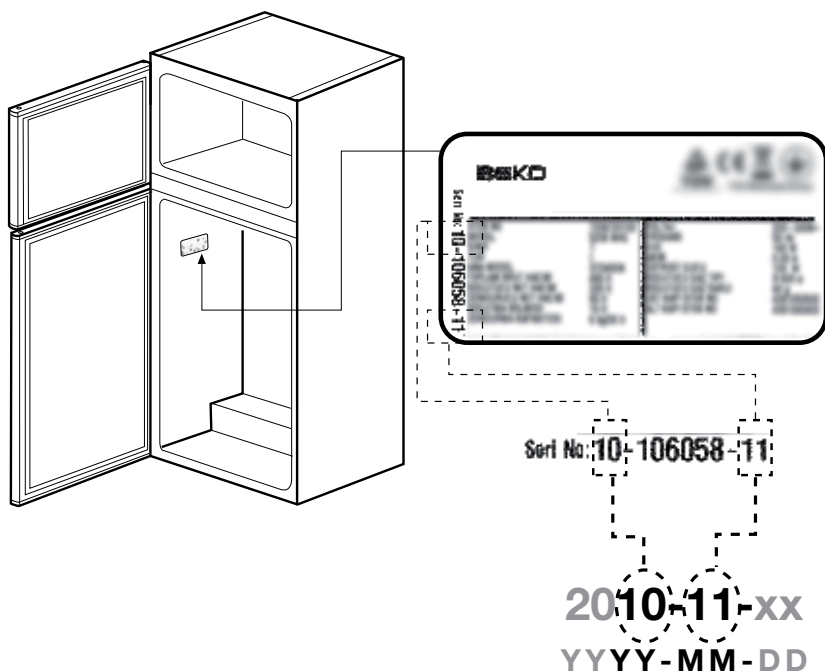
Если система охлаждения вашего изделия содержит R600a:

Этот газ огнеопасен, поэтому будьте осторожны, чтобы не повредить систему охлаждения и трубопроводы при эксплуатации и во время транспортировки. В случае повреждения уберите устройство подальше от потенциальных источников огня, которые могут привести к возгоранию, а также проветривайте помещение, в котором находится устройство.

Не обращайте внимания на предупреждение, если система охлаждения вашего изделия содержит R134a.

Тип газа, используемого изделием, указан на паспортной табличке, расположенной слева на внутренней стенке холодильника.

Не сжигайте изделие в целях утилизации.



Рекомендации по экономии электроэнергии

- Не оставляйте дверцу холодильника открытой на длительное время.
- Не кладите в холодильник горячие продукты или напитки.
- Не перегружайте холодильник, чтобы не нарушать циркуляцию воздуха.
- Не устанавливайте холодильник в местах, где на него попадают прямые солнечные лучи, или поблизости от источников тепла, таких как плита, посудомоечная машина или радиатор отопления.
- Следите за тем, чтобы контейнеры с продуктами были закрыты.
- Для изделий с морозильным

отделением: в морозильное отделение холодильника можно заложить максимальное количество продуктов, если достать из него полку или ящик. Указанное в технических характеристиках энергопотребление холодильника определено при условии, что полка или ящик морозильного отделения извлечены, и в него загружено максимально возможное количество продуктов. Полку и ящик можно использовать для замораживания продуктов в соответствии с их формой и размером.

- Таяние замороженных продуктов в холодильном отделении обеспечит экономию электроэнергии и сохранение качества продуктов.

Технические характеристики

Класс энергетической эффективности	A+
Класс защиты	1

3 Установка

Помните, что производитель не несет ответственности в случае несоблюдения указаний, приведенных в данном руководстве.

Подготовка

- i** Холодильник следует устанавливать на расстоянии не меньше 30 см от источников тепла, таких как варочные панели, плиты, батареи центрального отопления и печи, и на расстоянии не меньше 5 см от электрических плит, в местах, куда не попадает прямой солнечный свет.
- i** Температура воздуха в помещении, где устанавливается холодильник, должна быть не менее 10°C. Использовать холодильник при более низкой температуре не рекомендуется в связи с его низкой эффективностью в таких условиях.
- i** Содержите внутреннее пространство холодильника в чистоте.
- i** Если два холодильника устанавливаются рядом, то между ними должно быть расстояние не менее 2 см.
- i** При первом включении холодильника в течение первых шести часов работы обязательно соблюдайте следующие правила.
 - Не открывайте дверцу слишком часто.
 - Не загружайте в холодильник продукты.
 - Не отключайте холодильник от сети. Если произошло отключение электроэнергии не по вашей вине, см. указания в разделе «Рекомендации по устранению неполадок».
- i** Фирменную упаковку и пленку следует сохранить на случай последующей транспортировки прибора.

Правила транспортировки холодильника

1. Перед транспортировкой следует вынуть из холодильника все продукты и вымыть его.
2. Перед упаковкой следует надежно закрепить все полки, оборудование, контейнеры для фруктов и овощей и т.п. при помощи клейкой ленты, чтобы предохранить их от тряски.
3. Холодильник следует обвязать лентами из плотного материала и прочными веревками. При транспортировке следует придерживаться правил напечатанных на упаковке.

Пожалуйста, помните...

Вторичное использование материалов очень важно для сохранения природы и наших национальных богатств.

Если вы решите отправить упаковочные материалы на переработку, обратитесь за подробной информацией в организации по охране окружающей среды или в местные органы власти.

Подготовка к эксплуатации

Перед началом эксплуатации холодильника проверьте следующее:

1. Сухо ли внутри холодильника, и может ли воздух свободно циркулировать позади него?
2. Выполните чистку холодильника в соответствии с рекомендациями, приведенными в разделе «Обслуживание и чистка».
3. Подключите холодильник к электрической сети. При открытии двери холодильника загорается лампочка внутреннего освещения холодильника.

4. При запуске компрессора будет слышен шум. Жидкость и газы, находящиеся внутри герметичной системы охлаждения, также могут создавать шум, независимо от того, работает компрессор или нет, что является вполне нормальным явлением.
5. Передние кромки холодильника могут казаться теплыми на ощупь. Это нормально. Эти области подогреваются, чтобы предупредить конденсацию.

Подключение к электросети

Подсоедините холодильник к заземленной розетке с предохранителем соответствующего номинала.

Важное замечание

Подключение следует выполнять в соответствии с местными нормами и правилами.

Место подключения шнура питания должна быть легкодоступным.

Напряжение и допустимые параметры предохранителей указаны в разделе "Технические характеристики".

Напряжение в сети должно соответствовать данным, указанным в характеристиках холодильника.

Запрещается использовать при установке удлинители и многоместные розетки.

В случае повреждения шнура питания его замену должен быть выполнять квалифицированный электрик.

Запрещается пользоваться неисправным электроприбором! Это может привести к поражению электрическим током.

Утилизация упаковки

Упаковочные материалы могут быть опасны для детей. Храните упаковочные материалы в недоступном для детей месте или утилизируйте его, рассортировав в соответствии с правилами утилизации отходов. Не утилизируйте их вместе с обычными бытовыми отходами.

Упаковка холодильника изготовлена из материалов, подлежащих вторичной переработке.

Утилизация старого холодильника

Утилизация старого изделия должна выполняться экологически безопасным способом.

Сведения об утилизации прибора можно получить у официального дилера или в пункте сбора отходов по месту жительства.

Перед утилизацией холодильника следует отрезать шнур питания и сломать замки на дверцах (при наличии), чтобы предотвратить опасные ситуаций для детей.

И Этот прибор, в котором предусмотрены описанные в таблице температурные режимы, оснащен электронной системой регулирования температуры [Advanced Electronic Temperature Control System, АЕТСS], благодаря которой при установке рекомендованного режима [положение регулятора термостата 4] в морозильном отделении поддерживается постоянная температура, и замороженные продукты не растают, даже если температура в помещении упадет до -15 °С. После достижения устойчивого рабочего режима прибор можно перенести в другое место, например, в гараж или другое неотапливаемое помещение, не опасаясь, что продукты могут растаять. Однако учтите, что при очень низкой температуре в помещении продукты в морозильном отделении могут смерзнуться. Поэтому следует регулярно проверять морозильное отделение и использовать хранящиеся там продукты. Когда температура в помещении снова станет нормальной, можно при необходимости установить регулятор термостата в другое положение.

И Если температура помещения ниже 0 °С, продукты в холодильном отделении заморозятся, поэтому не рекомендуем использовать холодильное отделение при таких низких температурах. При этом морозильное отделение холодильника будет работать как обычно.

Замена лампочки внутреннего освещения

Если лампа вышла из строя, выполните следующие действия.

1 – Выключите холодильник и выньте вилку из розетки электросети.

Для более удобного доступа можно снять полки.

2 – При помощи плоской отвертки снимите плафон.

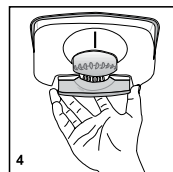
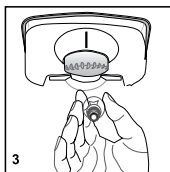
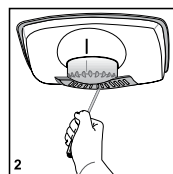
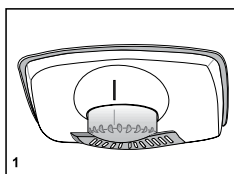
3 – Сначала убедитесь в том, что лампа неисправна, плотно вкрутив ее в патрон. Вставьте вилку в розетку и включите холодильник.

Если лампа оказалась исправной, установите на место плафон, вставив сначала задний выступ, а затем прижмите его кверху, чтобы установить на место два передних выступа.

4 – Если лампа действительно неисправна, выключите холодильник и выньте вилку из розетки электросети. Замените лампу на новую (с максимальной мощностью 15 Вт с соответствующим цоколем (SES).

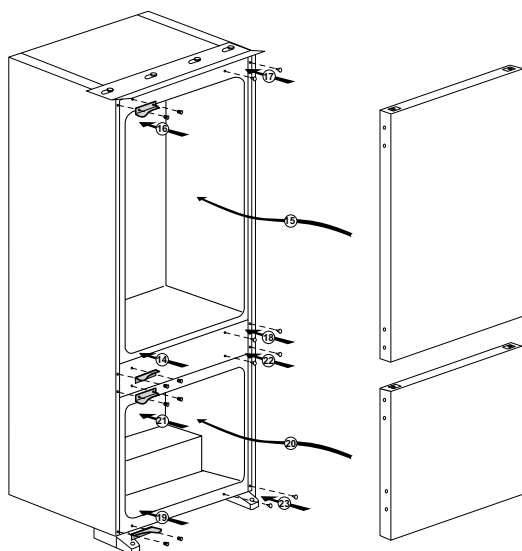
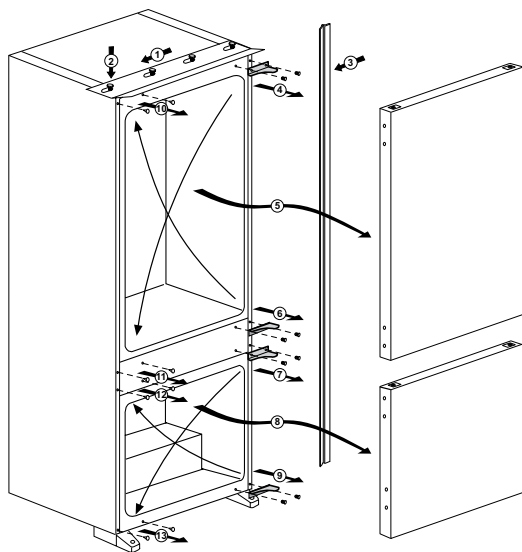
5 – Сразу же, соблюдая осторожность, выбросьте перегоревшую лампу.

Запасную электролампу можно приобрести в магазине электротоваров или хозяйств.



Перевешивание дверей

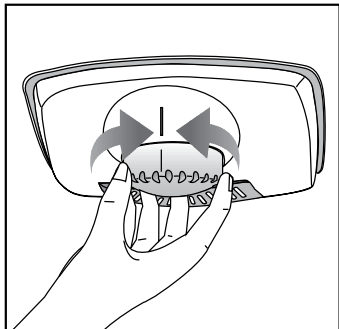
Выполните описанные действия в указанной последовательности.



4 Подготовка

- i** Холодильник следует устанавливать в местах, куда не попадает прямой солнечный свет, на расстоянии не менее 30 см от источников тепла, таких как варочные панели, плиты, батареи центрального отопления и печи, и на расстоянии не менее 5 см от электрических плит.
- i** Температура воздуха в помещении, где устанавливается холодильник, должна быть не менее 10°C. Использовать холодильник при более низкой температуре не рекомендуется в связи с его низкой эффективностью в таких условиях.
- i** Содержите внутреннее пространство холодильника в чистоте.
- i** Если два холодильника устанавливаются рядом, то между ними должно быть расстояние не менее 2 см.
- i** При первом включении холодильника в течение первых шести часов работы обязательно соблюдайте следующие правила.
 - Не открывайте дверцу слишком часто.
 - Не загружайте в холодильник продукты.
 - Не отключайте холодильник от электрической сети. Если произошло отключение электроэнергии не по вашей вине, см. указания в разделе «Рекомендации по устранению неполадок».
- i** Фирменную упаковку и пленку следует сохранить на случай последующей транспортировки прибора.

5 Эксплуатация холодильника



Регулятор температуры

Внутренняя температура в холодильнике изменяется по следующим причинам:

- Сезонные изменения температуры
- Частое открывание дверцы и дверца, оставленная открытой на долгое время
- Помещение продуктов в холодильник без предварительного охлаждения до комнатной температуры
- Неудачное расположение холодильника в помещении (например, в месте прямого попадания солнечного света).
- При изменении внутренней температуры по таким причинам можно отрегулировать температуру с помощью термостата. Цифры вокруг регулятора означают степень охлаждения.
- Если температура окружающей среды превышает 32°C, установите ручку термостата в положение максимального охлаждения.
- Если температура окружающей среды ниже 25°C, установите ручку термостата в положение минимального охлаждения.
- Чтобы в максимальной степени использовать пространство морозильной камеры для хранения продуктов, выньте из морозильного отделения верхнюю крышку. Данные об энергопотреблении холодильника приведены для условий, когда верхняя крышка вынута, и морозильная камера полностью загружена.

Размораживание

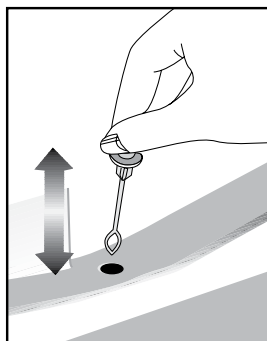
Холодильное отделение

Холодильная камера размораживается автоматически. Во время работы холодильника стекающие капли воды могут образовать на задней стенке холодильной камеры слой наледи толщиной до 7-8 мм. Такая наледь является обычным явлением, которое связано с особенностями работы системы охлаждения. Эта наледь периодически удаляется с помощью системы автоматического размораживания, которая находится на задней стенке холодильника. Пользователю не нужно самому счищать лед или вытирать капли воды.

Талая вода, которая образуется при размораживании, стекает по желобу в сливную трубку, попадает на испаритель и там испаряется.

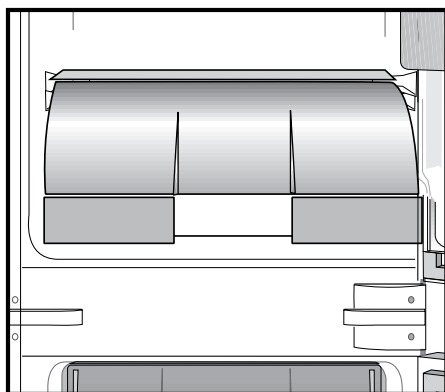
Регулярно проверяйте, не засорилась ли сливная трубка, и при необходимости прочищайте ее палочкой через сливное отверстие.

Морозильная камера размораживается автоматически.



Камера нулевой температуры

Эта камера предназначена для медленного оттаивания замороженных продуктов (мяса, рыбы, птицы и т.д.) в случае необходимости. Камера нулевой температуры – это самое холодное место в холодильнике с идеальными условиями для хранения молочных продуктов (сыр, масло), мяса, рыбы или птицы; в нее нельзя помещать овощи и фрукты.



6 Обслуживание и чистка

- ⚠ Ни в коем случае не используйте бензин, бензол или подобные вещества для чистки.
- ⚠ Перед чисткой рекомендуем отсоединить изделие от электросети.
- ⓘ Не используйте для чистки острые абразивные инструменты, мыло, бытовые чистящие средства, моющие средства и восковую политуру.
- ⓘ Корпус изделия промойте теплой водой и затем вытрите насухо.
- ⓘ Протрите внутреннюю поверхность изделия хорошо отжатой тканью, смоченной в растворе питьевой соды (1 чайная ложка на пол-литра воды), и вытрите насухо.
- ⚠ Не допускайте попадания воды в корпус лампочки и в другие электрические компоненты.
- ⚠ Если холодильник не будет использоваться в течение длительного времени, отключите сетевой шнур, извлеките все продукты, выполните чистку и оставьте дверцу приоткрытой.
- ⓘ Регулярно проверяйте, не испачкан ли уплотнитель дверцы частицами пищи.
- ⓘ Для снятия полок в дверце полностью разгрузите их, а затем просто приподнимите вверх.

Защита пластмассовых поверхностей

- Не храните жидкое масло или продукты, приготовленные с добавлением масла, в морозильной камере в открытых контейнерах, так как они могут повредить пластмассовые поверхности. Если же масло протекло или попало на пластмассовую поверхность, сразу же очистите и промойте это место теплой водой.

7 Рекомендации по устранению неисправностей

Прежде чем обращаться в сервисный центр, просмотрите этот перечень. Это может помочь сэкономить время и деньги. Ниже перечислены часто возникающие проблемы, причиной которых не являются дефекты производства или материалов. Некоторые из описанных здесь функций могут отсутствовать в вашей модели.

Холодильник не работает.
<ul style="list-style-type: none">• Правильно ли включен холодильник в сеть? Вставьте вилку в розетку электросети.• Не перегорел ли предохранитель розетки, в которую включен холодильник, или главный предохранитель? Проверьте предохранитель.
Конденсация на боковой стенке отделения холодильника (MULTI ZONE, COOL CONTROL и FLEXI ZONE).
<ul style="list-style-type: none">• Очень низкая температура окружающей среды. Частое открывание и закрывание дверцы. Изделие работает в условиях повышенной влажности. Хранение продуктов, содержащих жидкость, в открытых контейнерах. Неплотно закрыта дверца.• Переключите термостат на более низкую температуру.• Сократите периоды, когда дверца остается открытой, или открывайте ее реже.• Накройте продукты, хранящиеся в открытых контейнерах, подходящим материалом.• Вытрите конденсат сухой тканью и проверьте, не образуется ли он снова.
Не работает компрессор
<ul style="list-style-type: none">• Термозащита компрессора может сработать при неожиданных отключениях энергоснабжения либо при выключении-включении прибора, поскольку давление хладагента в системе охлаждения не успевает стабилизироваться.• Холодильник начнет работать примерно через 6 минут. Если по истечении этого времени холодильник не заработал, обратитесь в сервисный центр.• Холодильник находится в режиме размораживания. Это нормально для холодильника с автоматическим размораживанием. Размораживание выполняется регулярно.• Холодильник не включен в розетку электросети. Убедитесь, что вилка плотно вставлена в розетку электросети.• Правильно ли отрегулирована температура? Нарушение подачи электроэнергии. Обратитесь к поставщику электроэнергии.
Холодильник включается слишком часто или работает слишком долго.

<ul style="list-style-type: none"> • Новый холодильник может быть больше того, которым вы пользовались раньше. Это вполне нормально – большие холодильники работают в течение более длительных периодов времени. • Возможно, температура в помещении повышена. Это вполне нормально. • Возможно, холодильник был недавно включен или только что загружен продуктами. Полное охлаждение холодильника может продолжаться на несколько часов дольше. • Возможно, в холодильник недавно поместили большое количество горячих продуктов. Из-за наличия горячих продуктов холодильник будет работать дольше, чтобы достичь нужной температуры хранения. • Возможно, дверцы часто открываются либо оставались приоткрытыми в течение длительного времени. При попадании в холодильник теплого воздуха, он будет работать дольше. Открывайте дверцы реже. • Неплотно закрыта дверца морозильного или холодильного отделения. Проверьте, плотно ли закрыты дверцы. • Холодильник отрегулирован на очень низкую температуру. Установите в холодильнике более высокую температуру и подождите, пока установленная температура не будет достигнута. • Возможно, уплотнитель дверцы холодильного или морозильного отделения загрязнен, изношен, разорван или неправильно установлен. Почистите или замените уплотнитель. Из-за поврежденного или разорванного уплотнителя холодильник будет работать дольше, чтобы поддерживать текущую температуру.
Температура в морозильном отделении слишком низкая, в то время как температура в холодильном отделении достаточная.
<ul style="list-style-type: none"> • Температура морозильного отделения установлена на очень низкое значение. Установите в морозильном отделении более высокую температуру и проверьте работу.
Температура холодильного отделения очень низкая, в то время как температура в морозильном отделении достаточная.
<ul style="list-style-type: none"> • Температура в холодильном отделении установлена на очень низкое значение. Установите в холодильном отделении более высокую температуру и проверьте работу.
Замерзают продукты в выдвижных контейнерах холодильного отделения.
<ul style="list-style-type: none"> • Температура в холодильном отделении установлена на очень низкое значение. Установите в холодильном отделении более высокую температуру и проверьте работу.
Температура в холодильном и морозильном отделении слишком высокая.
<ul style="list-style-type: none"> • Температура в холодильном отделении установлена на очень высокое значение. Температура в холодильном отделении влияет на температуру в морозильном отделении. Изменяйте температуру в холодильном или морозильном отделении, пока не будет достигнут нужный уровень температуры. • Возможно, неплотно закрыта дверца. Полностью закройте дверцу. • Возможно, в холодильник недавно поместили большое количество горячих продуктов. Подождите, пока холодильное или морозильное отделение достигнет нужной температуры. • Возможно, холодильник был недавно включен в сеть. Для полного охлаждения потребует некоторое время из-за большого размера холодильника.
Из холодильника доносится шум, похожий на тиканье механических часов.

<ul style="list-style-type: none"> Этот шум вызван работой электромагнитного клапана холодильника. Он обеспечивает прохождение хладагента, который выполняет охлаждение, через отделения холодильника, в которых установлена температура охлаждения или замораживания. Это вполне нормально и не является неисправностью.
Уровень рабочего шума повышается во время работы холодильника.
<ul style="list-style-type: none"> Рабочие характеристики изделия могут изменяться в зависимости от изменений температуры окружающей среды. Это нормально и не является неисправностью.
Вибрация или шум.
<ul style="list-style-type: none"> Пол неровный или нежесткий. Холодильник медленно перемещается и при этом дрожит. Убедитесь в том, что пол ровный и достаточно прочный, чтобы выдержать вес изделия. Шум могут вызывать предметы, которые находятся на холодильнике. Такие предметы следует убрать с холодильника.
Слышен шум льющейся или разбрызгивающейся жидкости.
<ul style="list-style-type: none"> Расход жидкости и газа изменяется в соответствии с принципами работы изделия. Это нормально и не является неисправностью.
Слышен шум, похожий на шум ветра.
<ul style="list-style-type: none"> Для обеспечения эффективного охлаждения в холодильнике используются устройства подачи воздуха (вентиляторы). Это нормально и не является неисправностью.
Конденсация влаги на внутренних стенках холодильника.
<ul style="list-style-type: none"> Жаркая и влажная погода способствует образованию льда и конденсации влаги. Это нормально и не является неисправностью. Дверцы приоткрыты. Убедитесь, что дверцы полностью закрыты. Возможно, дверцы открывались очень часто, или дверца оставалась открытой длительное время. Открывайте дверцу реже.
Появление влаги снаружи холодильника или между дверцами.
<ul style="list-style-type: none"> Возможно, причина во влажной погоде. Это вполне нормально при влажной погоде. Когда влажность уменьшится, конденсация исчезнет.
Неприятный запах внутри холодильника.
<ul style="list-style-type: none"> Следует выполнить чистку внутри холодильника. Протрите холодильник внутри губкой, смоченной в теплой воде или в газированной воде. Некоторые контейнеры или упаковочные материалы также могут быть источником запаха. Используйте другой контейнер или упаковочный материал другой марки.
Дверца (дверцы) не закрывается (не закрываются).
<ul style="list-style-type: none"> Упаковки продуктов могут препятствовать закрыванию дверцы. Переместите упакованные продукты, препятствующие закрытию дверцы. Возможно, холодильник стоит не совсем вертикально, это может вызвать дрожание при любом перемещении. Отрегулируйте регулировочные винты. Пол неровный или нежесткий. Убедитесь в том, что пол ровный и может выдержать вес холодильника.
Контейнеры для фруктов и овощей прилипли.
<ul style="list-style-type: none"> Возможно, продукты касаются верхней части контейнера. Переместите продукты в контейнере.

Изготовитель: «Arcelik A.S.» Юридический адрес: Караач Джаддеси № 2-6 34445
Сютлюдже Стамбул, Турция (Karaağaç Caddesi No:2-6 Sütluce, 34445, Turkey)

Произведено в Турции

Импортер на территории РФ: ООО «БЕКО» Юридический адрес: 601010, Владимирская
область, Киржачский район, завод «БЕКО»

Информацию о сертификации продукта Вы можете уточнить, позвонив на горячую линию
8-800-200-23-56.

Дата производства включена в серийный номер продукта, указанный на этикетке,
расположенной на продукте, а именно: первые две цифры серийного номера
обозначают год производства, а последние две – месяц. Например, "10-100001-05"
обозначает, что продукт произведен в мае 2010 года.

